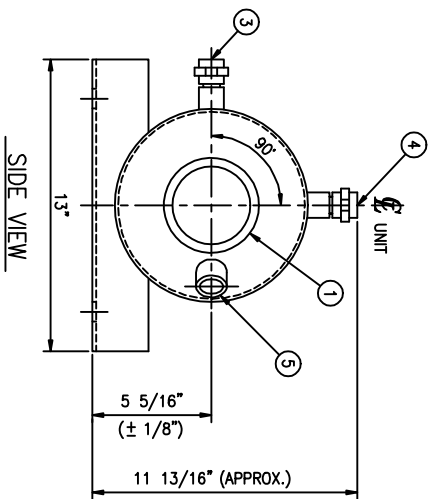


MARK		SIZE	RATING	TYPE	PIPE THK.	SERVICE
1	3"	1000#	HALF-COUPLING	---	---	STEAM IN
2	3"	1000#	HALF-COUPLING	---	---	VENT OUT
3	3/4"	---	COPPER F.A.	---	---	COLD WATER INLET
4	3/4"	---	COPPER F.A.	---	---	HOT WATER OUT
5	3/4"	3000#	HALF-COUPLING	---	---	CONDENSATE OUT

NOZZLE DATA

DESIGN DATA		SHELL SIDE	TUBE SIDE
DESIGN PRESSURE:	5 PSI	125 PSI	---
TEST PRESSURE:	10 PSI	125 PSI	---
DESIGN TEMPERATURE:	300°F	200°F	---
DRY WEIGHT:	105 LBS.	---	---
OPERATING WEIGHT:	110 LBS.	---	---
NON ASME CODE	---	---	---

NOTE: SHIPPING WEIGHT CRATED IS APPROX. 150 LBS.



CANNON BOILER WORKS, INC.
 510 CONSTITUTION BLVD. NEW KENSINGTON, PA. 19063

DESIGNER: JAV
 CHECKED BY: JAV
 DATE: 7/03/07

GENERAL ARRANGEMENT DRAWING
 OF VENT CONDENSER
 MODEL: VC-7

FILE NAME: J:\ENG\VA\VENTCOND\Gd-Arr.dwg
 SCALE: AS SHOWN
 SHEET NO.: 1 OF 1
 SHEET COUNT: 1

NTS